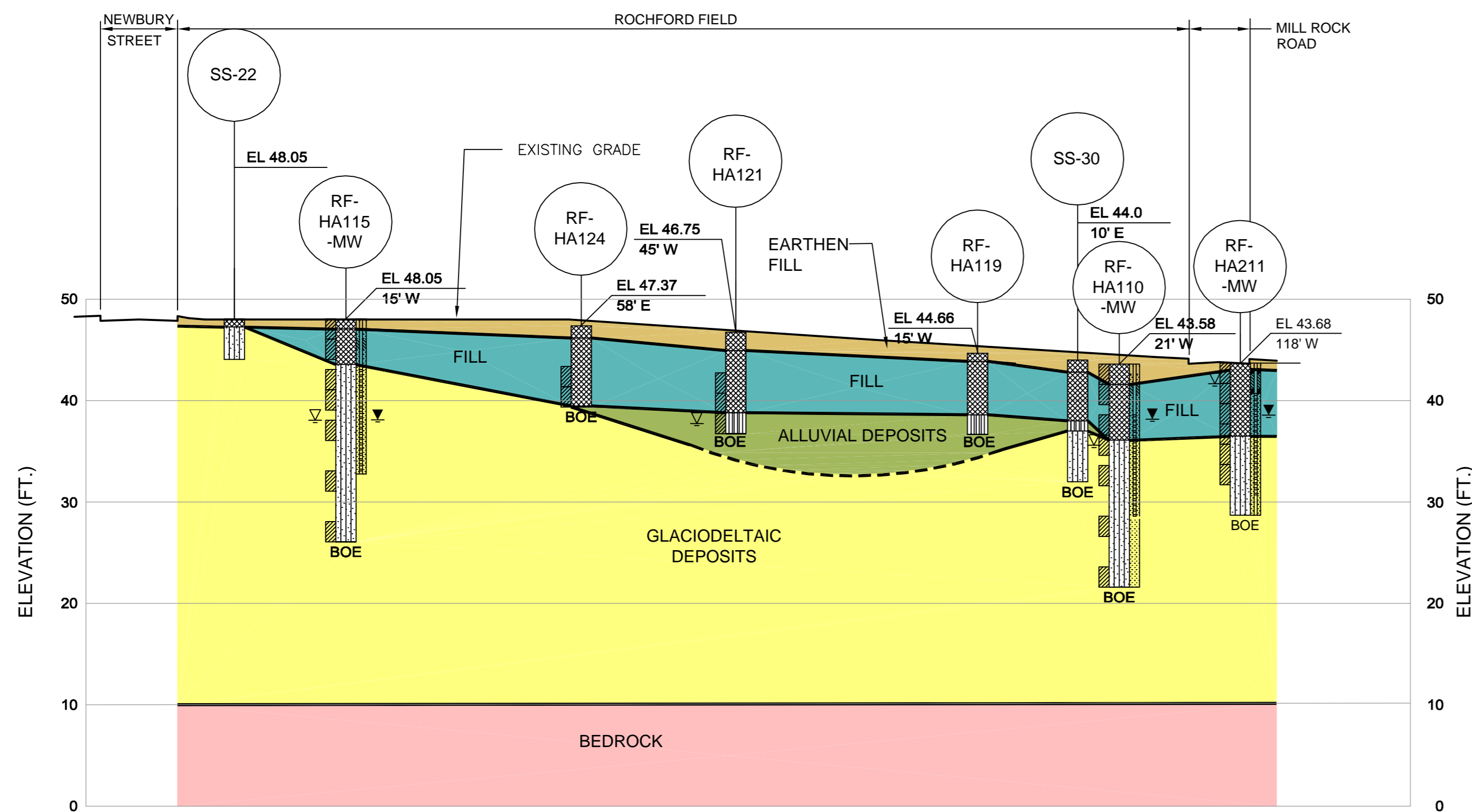


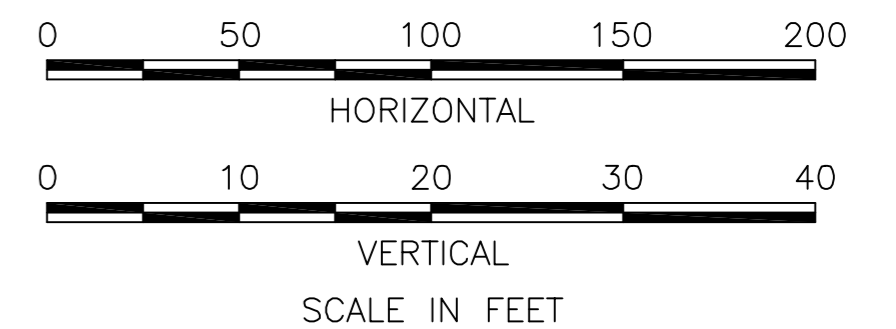
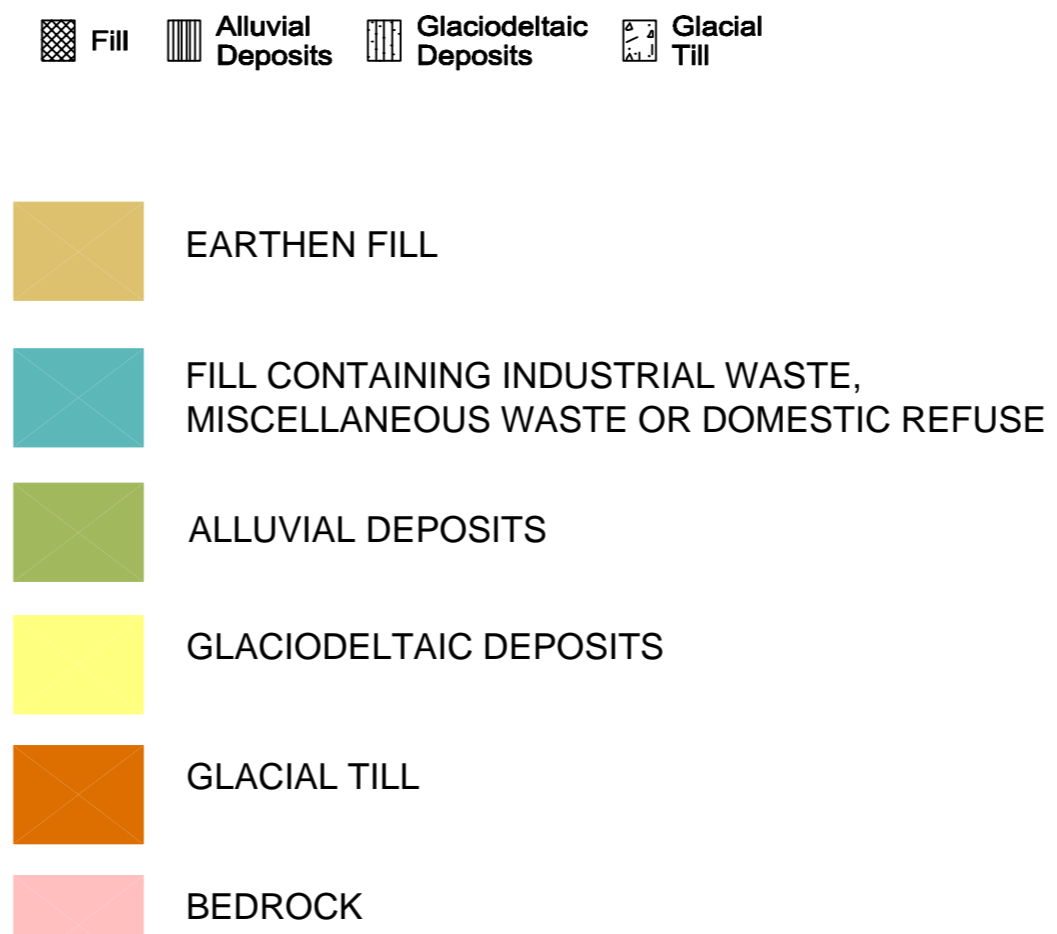
SUBSURFACE PROFILE A-A



SUBSURFACE PROFILE B-B

- NOTES:**
1. TOP OF BEDROCK ELEVATION INFERRED FROM: HAENI, F.P., AND SANDERS, J.E., 1974, CONTOUR MAP OF THE BEDROCK SURFACE, NEW HAVEN-WOODMONT QUADRANGLES, CONNECTICUT: U.S. GEOLOGIC SURVEY MISC. FIELD STUDIES MAP MF-657A.
 2. SEE FIGURES 2A, 2B AND 2C FOR LOCATION OF SUBSURFACE PROFILES.

LITHOLOGY GRAPHICS



HALEY & ALDRICH

ROCHFORD FIELD AND MILL ROCK PARK
NEWHALL STREET NEIGHBORHOOD
HAMDEN, CONNECTICUT

SUBSURFACE PROFILES A-A AND B-B

SCALE: AS SHOWN

APRIL 2005

UNDERGROUND ENGINEERING & ENVIRONMENTAL SOLUTIONS